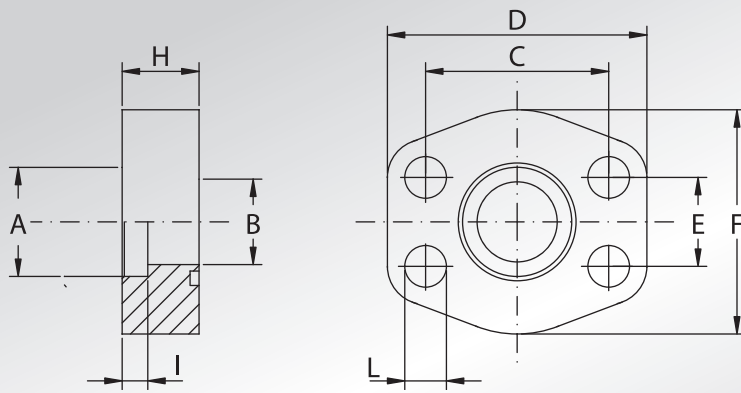


**FLANGE PIATTE  
A SILDARE  
DI TASCA**



**WELD IN FLAT  
FLANGES**



Pressione max di esercizio raccomandata Kg/cm <sup>2</sup>	Grandezza	Tipo	Dimensioni										Viti	Or tipo	Peso Kg
			Dimensions												
Maximum recommended working pressure Kg/cm <sup>2</sup>	Size	Type	A	B	C	D	E	F	H	I	L	Metric			
<b>SERIE 3000</b>															
40	1/2"	AFC080S	22,5	15	38,10	56	17,48	46	14	3	9	M8x25	4075	0,12	
40	3/4"	AFC100S	28,5	20	47,63	65	22,23	50	12	4	11	M10x30	4100	0,20	
40	1"	AFC102S	35,5	29	52,37	70	26,19	55	12	4	11	M10x30	4131	0,25	
40	1"1/4	AFC104S	42,5	34	58,72	79	30,18	68	12	4	11,5	M10x30	4150	0,28	
40	1"1/2	AFC106S	49,0	42	69,85	93	35,71	78	15	4	13,5	M12x35	4187	0,50	
40	2"	AFC108S	61,0	53	77,77	102	42,88	90	15	4	13,5	M12x35	4225	0,59	
40	2"1/2	AFC110S	77,0	64	88,90	114	50,80	105	15	4	13,5	M12x35	4275	0,72	
40	3"	AFC112S	90,0	80	106,38	134	61,93	124	20	5	17,5	M16x50	4337	1,25	
40	3"1/2	AFC114S	103,0	93	120,65	152	69,85	136	20	5	17,5	M16x50	4387	1,50	
40	4"	AFC116S	116,0	105	130,18	162	77,77	146	25	6	17,5	M16x50	4437	2,15	
40	5"	AFC118S	141,0	126	152,40	190	92,08	170	28	8	17,5	M16x50	4537	3,00	

**DESIGNAZIONE PER ORDINE  
DESIGNATION FOR ORDER**

**Materiale / Material**

**NOTE / NOTES**

Solo flangia  
Only flange

**AFC...S**

**AFCX...S**

Flangia completa di viti metriche, grower e o-ring  
Flange complete of metric screws, grower type washers and o-ring

**AFC...SM**

**AFCX...SM**