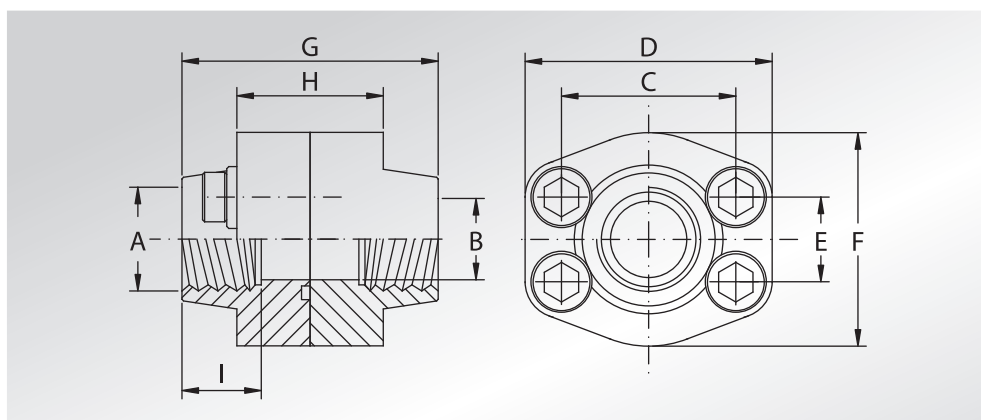




DOPPIE FLANGE FILETTATE NPT

NPT THREADED DOUBLE FLANGES



Pressione max di esercizio raccomandata Kg/cm ²	Grandezza	Tipo	Dimensioni									Viti		Or tipo	Peso Kg
Maximum recommended working pressure Kg/cm ²	Size	Type	Dimensions									Screws		Or type	Weight Kg
			A	B	C	D	E	F	G	H	I	Metric	Unc		

SERIE 3000

345	1/2"	DFS080N	1/2" NPT	13	38,10	57	17,48	46	72	32	19	M8x30	5/16x1"1/4	4075	0,57
345	1/2"	DFS080N038	3/8" NPT	13	38,10	57	17,48	46	72	32	19	M8x30	5/16x1"1/4	4075	0,61
345	3/4"	DFS100N	3/4" NPT	19	47,63	65	22,23	50	72	36	19	M10x35	3/8x1"1/2	4100	0,90
345	3/4"	DFS100N012	1/2" NPT	13	47,63	65	22,23	50	72	36	19	M10x35	3/8x1"1/2	4100	0,97
345	1"	DFS102N	1" NPT	25	52,37	70	26,19	55	76	36	22	M10x35	3/8x1"1/2	4131	1,06
345	1"	DFS102N034	3/4" NPT	19	52,37	70	26,19	55	70	42	19	M10x40	3/8x1"1/2	4131	1,19
276	1"1/4	DFS104N	1"1/4 NPT	32	58,72	79	30,18	68	82	42	22	M10x40	7/16x1"3/4	4150	1,50
276	1"1/4	DFS104N100	1" NPT	25	58,72	81	30,18	65	84	50	24	M10x40	7/16x1"3/4	4150	1,78
207	1"1/2	DFS106N	1"1/2 NPT	38	69,85	93	35,71	78	90	50	24	M12x45	1/2x1"3/4	4187	2,37
207	1"1/2	DFS106N114	1"1/4 NPT	32	69,85	95	35,71	78	90	54	24	M12x45	1/2x1"3/4	4187	2,61
207	2"	DFS108N	2" NPT	51	77,77	102	42,88	90	90	50	30	M12x45	1/2x1"3/4	4225	2,61
207	2"	DFS108N112	1"1/2 NPT	38	77,77	102	42,88	90	90	50	26	M12x45	1/2x1"3/4	4225	3,31
172	2"1/2	DFS110N	2"1/2 NPT	63	88,90	114	50,80	105	100	50	30	M12x45	1/2x1"3/4	4275	3,45
138	3"	DFS112N	3" NPT	73	106,38	134	61,93	124	100	54	34	M16x50	5/8x2"	4337	5,09
34	3"1/2	DFS114N	3"1/2 NPT	89	120,65	152	69,85	136	96	54	34	M16x50	5/8x2"	4387	5,36
34	4"	DFS116N	4" NPT	99	130,18	162	77,77	146	96	54	34	M16x50	5/8x2"	4437	6,08
34	5"	DFS118N (*)	5" NPT	120	152,40	184	92,08	180	100	56	30	M16x50	5/8x2"	4537	8,12

SERIE 6000

414	1/2"	DFS401N012	1/2" NPT	13	40,49	57	18,24	46	72	32	19	M8x30	5/16x1"1/4	4075	0,57
414	1/2"	DFS401N038	3/8" NPT	13	40,49	57	18,24	46	72	32	19	M8x30	5/16x1"1/4	4075	0,63
414	3/4"	DFS402N	3/4" NPT	19	50,80	71	23,80	55	70	42	22	M10x40	3/8x1"1/2	4100	1,19
414	3/4"	DFS402N012	1/2" NPT	13	50,80	71	23,80	55	70	42	22	M10x40	3/8x1"1/2	4100	1,29
414	1"	DFS403N	1" NPT	25	57,15	81	27,76	65	84	50	24	M12x45	7/16x1"3/4	4131	1,88
414	1"	DFS403N034	3/4" NPT	19	57,15	81	27,76	65	84	50	24	M12x45	7/16x1"3/4	4131	1,94
414	1"1/4	DFS404N	1"1/4 NPT	32	66,68	95	31,75	78	90	54	25	M14x45	1/2x1"3/4	4150	2,63
414	1"1/4	DFS404N100	1" NPT	25	66,68	95	31,75	78	90	54	25	M14x45	1/2x1"3/4	4150	2,89
414	1"1/2	DFS405N	1"1/2 NPT	38	79,38	112	36,50	94	100	60	28	M16x50	5/8x2"	4187	4,14
414	1"1/2	DFS405N114	1"1/4 NPT	32	79,38	112	36,50	94	100	60	28	M16x50	5/8x2"	4187	4,41
414	2"	DFS406N	2" NPT	51	96,82	134	44,45	114	130	74	30	M20x70	3/4x2"1/2	4225	7,65
414	2"	DFS406N112	1"1/2 NPT	38	96,82	134	44,45	114	130	74	30	M20x70	3/4x2"1/2	4225	8,63
414	2"1/2	DFS507N (*)	2"1/2 NPT	63	123,80	180	58,70	152	160	90	35	M24x80	-	4275	-
414	3"	DFS508N (*)	3" NPT	73	152,40	208	71,40	178	180	110	40	M30x100	-	4337	-

DESIGNAZIONE PER ORDINE DESIGNATION FOR ORDER	Materiale / Material	
	ST52.3	AISI 316L
Flangia + contoflangia + set viti metriche Flange + counter-flange + metric screws set	DFS...NM	DFX...NM
Flangia + contoflangia + set viti unc Flange + counter-flange + unc screws set	DFS...NU	DFX...NU

NOTE / NOTES

- (•) Solo in ST52.3
- (•) Only in ST52.3

set viti unc disponibili solo in acciaio al carbonio.
unc screws set available only in carbon steel.

- (*) set viti disponibili solo in acciaio al carbonio.
- (*) screws set available only in carbon steel.