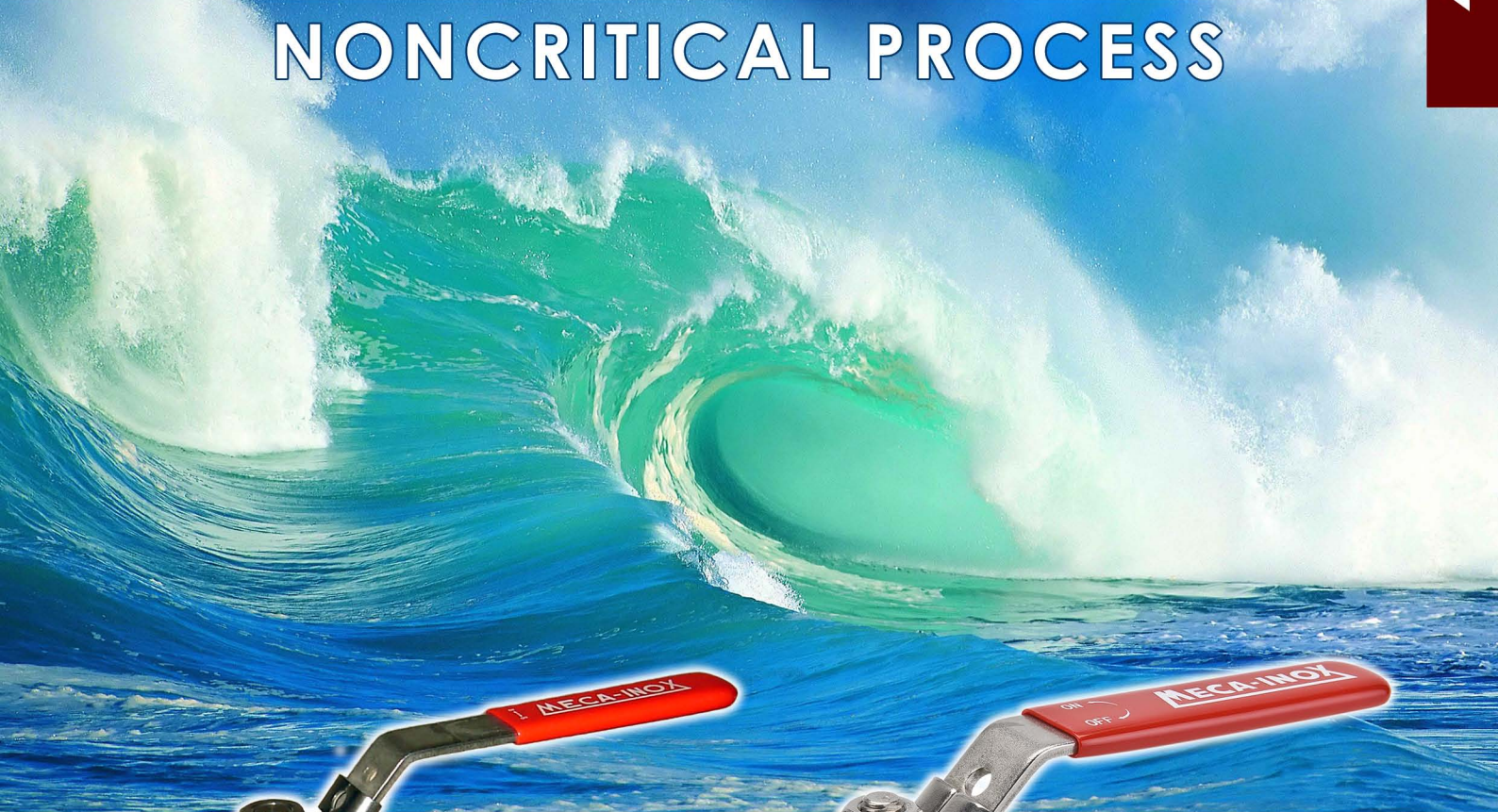


P55 / RBSTNI series NONCRITICAL PROCESS



Applications

For non-demanding process & utilities lines:

- Air pressure, waste, utilities.
- Air conditioning, heating, ventilation / cooling

MECA-INOX Solution

P55 series is a PS4 complements low cost valve. It is available from DN15 to DN100 with threaded connections (BSP) and butt welding (BW).

316L (1.4408) stainless steel body.

Standard full bore port.

20% carbon filled PTFE allow maximum operating temperature up to 225°C.

PN 63 from DN 50 to 100, PN 70 from DN 32 to 40, PN 85 from DN 08 to 25.

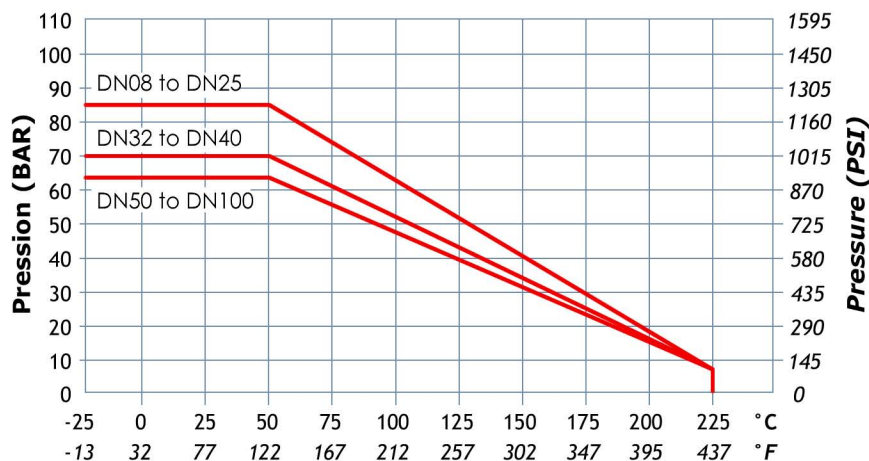
Stainless steel lockable handle.

P55 is antistatic proof and can be used in ATEX (II 2 GD) area.

Tested according to MECA-INOX control procedures.

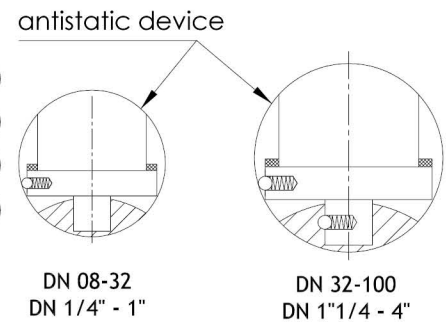
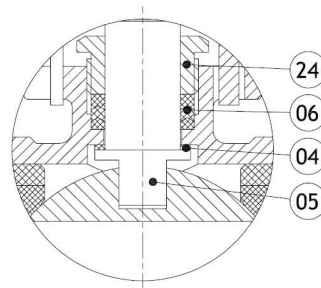
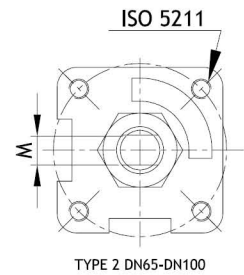
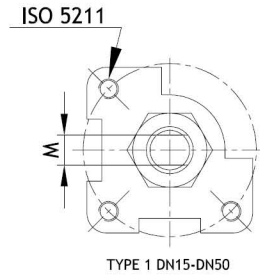
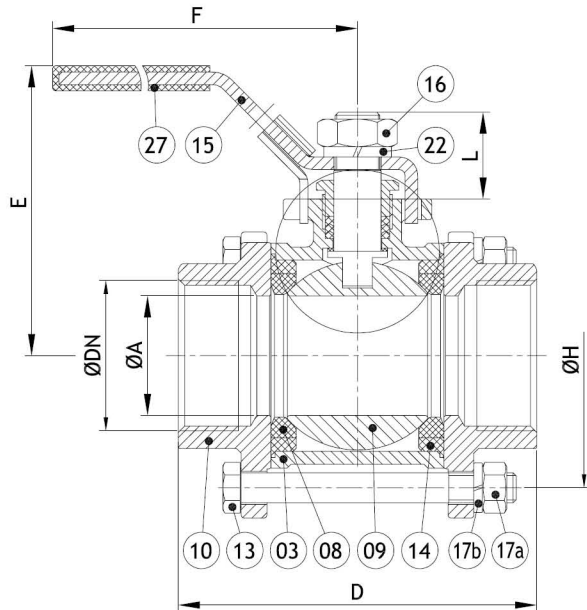
We advice manual used up to 5000 operating cycle per year.

P55 Temperature / pressure diagrams



3-pièces ball valve P55

DN 08 to 100
BSP Thread & Butt welding BW
Full bore



N°	Nb	Description	Matière (EN) Inox	Item	Qty	Description	Material (ASTM) S.steel
03	1	Corps monobloc ISO	1.4408	03	1	Body	CF8M
04	1	Rondelle de friction	PTFE + 25% carbone	04	1	Stem thrust seal	PTFE + 25% Carbon
05	1	Tige de manœuvre	1.4401	05	1	Stem	316
06	1	Garniture	PTFE + 25% carbone	06	3	Stem packing	PTFE + 25% Carbon
08	2	Sièges	PTFE + 25% carbone	08	2	Seat	PTFE + 25% Carbon
09	1	Tournant sphérique	1.4408	09	1	Ball	CF8M
10	2	Embout de raccordement	1.4408	10	2	Cap	CF8M
13	4	Vis TH DN08 à DN65	1.4301	13	4	Bolt DN 1/4" to 2 1/2"	304
	6	Vis TH DN80 à DN100	1.4301	13	6	Bolt DN 3" to 4"	304
14	2	Joints de corps	PTFE + 25% carbone	14	2	Gasket	PTFE + 25% Carbon
15	1	Levier	1.4301	15	1	Handle	304
16	1	Ecrou de levier	1.4301	16	1	Stem nut	304
17a	4	Écrous de serrage DN08 à DN65	1.4301	17a	4	Nut screw DN 1/4" to 2 1/2"	304
	6	Écrous de serrage DN80 à DN100	1.4301	17a	6	Nut screw DN 3" to 4"	304
17b	4	Rondelle Grower DN08 à DN65	1.4301	17b	4	Bolt washer DN 1/4" to 2 1/2"	304
	6	Rondelle Grower DN80 à DN100	1.4301	17b	6	Bolt washer DN 3" to 4"	304
22	1	Rondelle Grower	1.4301	22	1	Spring Washer	304
24	1	Presse etoupe	1.4301	24	1	Gland	304
27	1	Manchon de levier	Plastique	27	1	Plastic Cover	Plastic

DN Size	ØA	D	E	F	ØH	L	M	ISO 5211	
8	1/4"	11,6	58	56	102	40,5	15	5	F03
12	3/8"	12,7	58	56	102	40,5	15	5	F03
15	1/2"	15	63	65	123	47	16	6,5	F03
20	3/4"	20	73	67	123	53,5	16	6,5	F03
25	1"	25	85	79	153	59,6	21	8	F04
32	1 1/4"	32	96	84	153	74,2	21	8	F04
40	1 1/2"	38	114	92	183	84	25	9,5	F05
50	2"	50	134	99	183	101	29	9,5	F05
65	2 1/2"	65	180	136	246	132	40	12	F07
80	3"	80	200	146	246	161,5	48	12	F07
100	4"	100	228	168	503	191	33	12	F07

Applications

For non-demanding process & utilities lines:

- Air pressure, waste, utilities.
- Air conditioning, heating, ventilation / cooling



RBSTNI degreased version

MECA-INOX Solution

This economical valve exists from DN08 to DN80 with threaded connections BSP & NPT.

PN 63 from DN 50 to 100, PN 70 from DN 32 to 40, PN 85 from DN 08 to 25.

316L (1.4408) stainless steel body.

Standard full bore port.

PTFE seats allow maximum operating temperature up to 190°C.

Stainless steel lockable handle for manual used.

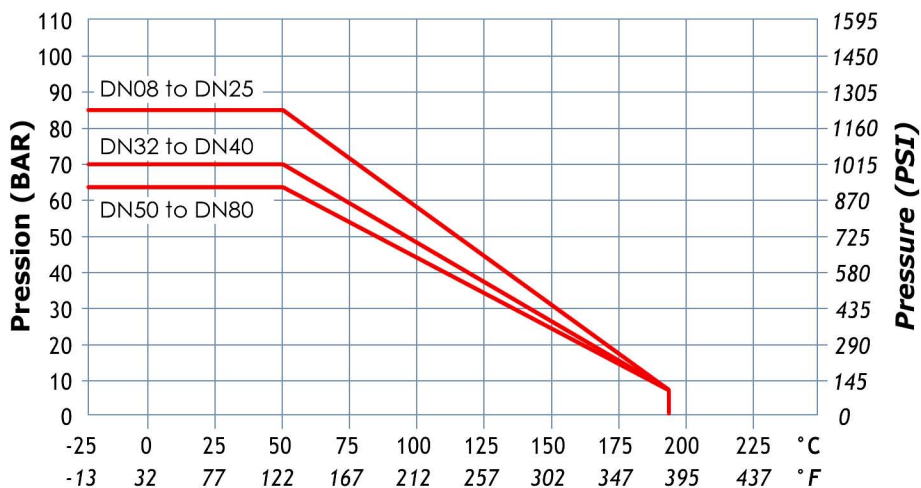
Tested according to MECA-INOX control procedures.

On request: ATEX (II 2 GD) version & degreased version available.



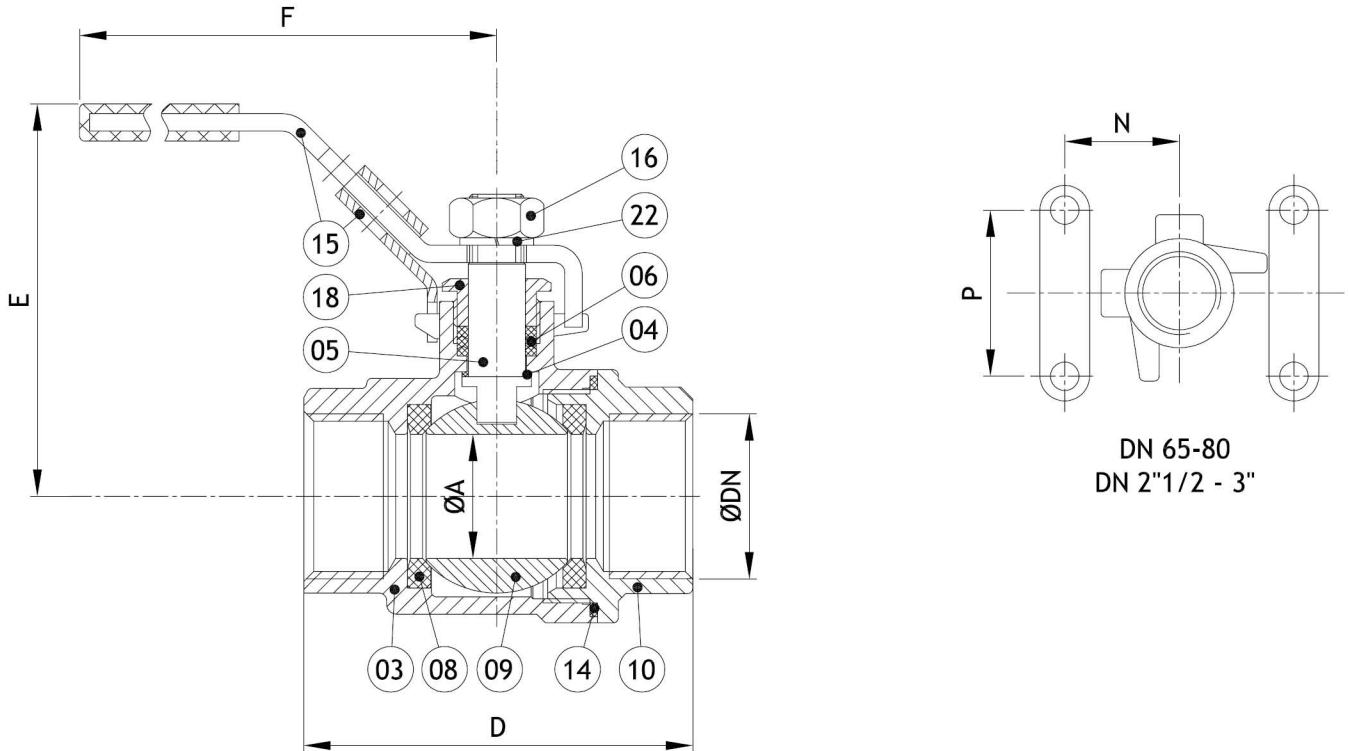
RBSTNI ATEX version

RBSTNI Temperature / pressure diagrams



1-piece ball valve RBSTNI

DN 08 to 80
BSP & NPT Thread
Full bore



N°	Nb	Description	Matière (EN) Inox	Item	Qty	Description	Material (ASTM) S.steel
03	1	Corps monobloc ISO	1.4408	03	1	Body	CF8M
04	1	Rondelle de friction	PTFE	04	1	Stem thrust seal	PTFE
05	1	Tige de manœuvre	1.4404	05	1	Stem	316L
06	1	Garniture	PTFE	06	3	Stem packing	PTFE
08	2	Sièges	PTFE	08	2	Seat	PTFE
09	1	Tournant sphérique	1.4408	09	1	Ball	CF8M
10	1	Embout de raccordement	1.4408	10	1	Body connector	CF8M
14	1	Joints de corps	PTFE	14	1	Body seal	PTFE
15	1	Levier	1.4301	15	1	Handle	304
16	1	Ecrou de levier	1.4301	16	1	Stem nut	304
18	1	Presse étoupe	1.4301	18	1	Gland nut	304
22	1	Rondelle Grower	1.4301	22	1	Stem washer	304

DN Size	ØA	D	E	F	N	P
8	1/4"	11,6	52	56	102	28,5
12	3/8"	12,7	52	56	102	28,5
15	1/2"	15	58	65	132	28,5
20	3/4"	20	67	68	132	35
25	1"	25	78	79	153	35
32	1 1/4"	32	90	84	153	38,1
40	1 1/2"	38	104	94	183	38,1
50	2"	50	127,5	100	183	38,1
65	2 1/2"	65	158	135	246	70
80	3"	80	186	145	246	70